

Quick. Powerful.

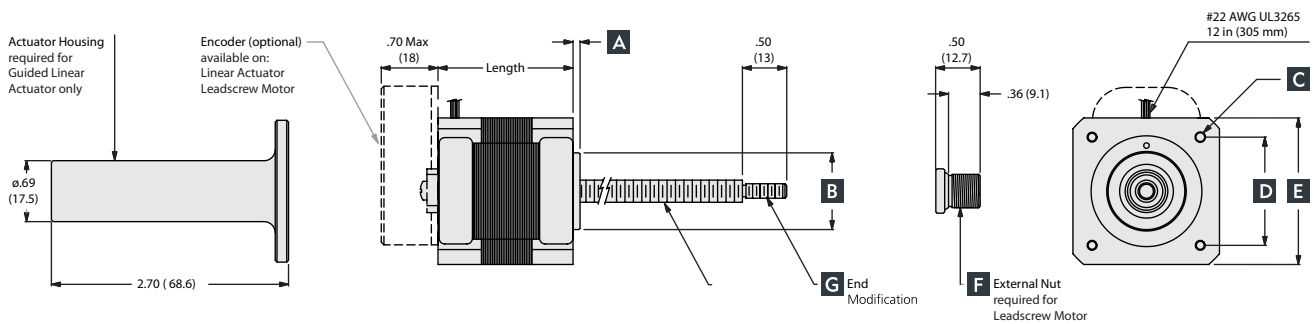
This Nema size-17 ultra-reliable, stepper-based linear actuator is made with ball-bearings and dynamically balanced rotors for high-speed operation.



APPS17 STEPPER TYPE LINEAR ACTUATOR

Size	Nema 17
Torque	to 47 oz-in or 33 Ncm

Model	Length	Weight	Holding Torque	Rotor Inertia	A	B	C	D	E	F	G
					Pilot Length	Pilot Diameter	Mount Hole Callout	Mount Hole Spacing	External Flange Dimension	External Nut Thread	Screw End Mod
APPS17-29	1.28 in	7 oz	29 oz-in	0.00053 oz-in-sec ²	0.08 in	0.8660 in 0.8648 in	(4) 4-40UNC-2B 0.17 in deep	1.22 in	1.65 in	3/8-40 UNF	10-32 UNC
APPS17-47	1.52 in	9 oz	47 oz-in	0.00081 oz-in-sec ²							M5 x 0.8
APPS17M-21	32.5 mm	198 g	21 Ncm	3.74-4 Ncm-sec ²	2.0 mm	22.00 mm 21.96 mm	(4) M3x0.5-6H 3.5 mm deep	31 mm	42 mm	M10x1.25	0.196 / 0.195
APPS17M-33	38.6 mm	255 g	33 Ncm	5.71-4 Ncm-sec ²							(5) dia Journal



APPS17 Model Number

1 - Frame Size (Imperial or Metric)

A P P S 1 7

Product Name Frame Size

2 - Torque

- 2 9

Continuous Torque (oz-in)

3 - Winding

1 0

Voltage

4 - Features

- 0 A B 4 0 - 0

Thread Lead Option Screw End Mod Screw Length

Product
0 = Linear Actuator
1 = Leadscrew Motor
2 = Guided Linear Actuator

A P P S 1 7 M

Product Name Frame Size Optional Metric

- 2 1

Continuous Torque (Ncm)

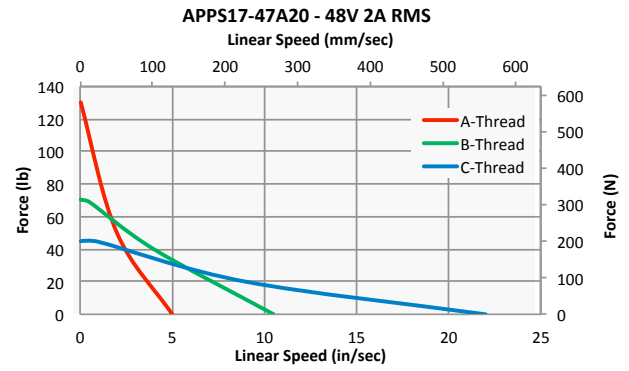
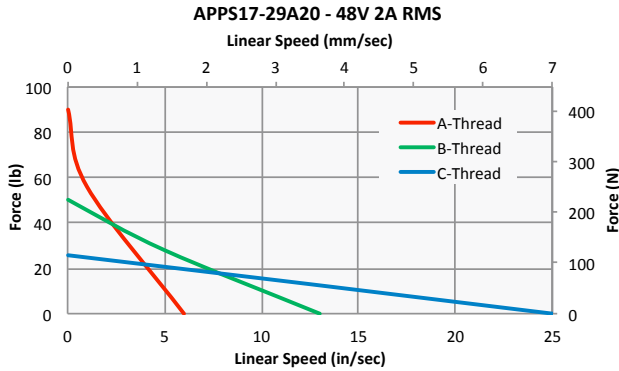
APPS17

ElectroCraft AxialPower™ Plus

STEPPER LINEAR ACTUATOR



APPS17 - Performance



APPS17 Mechanical / Winding Data

Stack Size Models	APPS17- 29A	APPS17- 47A	APPS17- 29V	APPS17- 47V
Holding Torque Bi-Polar (oz-in)	29.0	47.0	29.0	47.0
Holding Torque Bi-Polar (Ncm)	20.48	33.19	20.48	33.19
Holding Torque Uni-Polar (oz-in)	29.0	47.0	22.2	36.1
Holding Torque Uni-Polar (Ncm)	20.48	33.19	15.68	25.49
Length (inches)	1.3	1.5	1.3	1.5
Length (cm)	3.3	3.8	3.3	3.8
Width (inches)	1.6	1.6	1.6	1.6
Width (cm)	4.1	4.1	4.1	4.1
Weight (oz)	7.0	9.0	7.0	9.0
Weight (Kg)	0.2	0.3	0.2	0.3
Step Angle (°/step)	1.8	1.8	1.8	1.8
Number Leads	4	4	6	6

APPS17 Bi-Polar Windings

Imperial Models	APPS17- 29A10	APPS17- 29A15	APPS17- 29A20	APPS17- 47A10	APPS17- 47A15	APPS17- 47A20
Metric Models	APPS17-21A10	APPS17-21A15	APPS17-21A20	APPS17-33A10	APPS17-33A15	APPS17-33A20
Current (A/Phase)	1.0	1.5	2.0	1.0	1.5	2.0
Voltage (V/Phase)	3.8	2.8	1.9	4.7	3.6	2.4
Resistance (R/Phase)	3.8	1.9	1.0	4.7	2.4	1.2
Inductance (mH)	4.8	2.3	1.2	9.1	4.7	2.3

APPS17 Uni-Polar Windings

Winding Models	APPS17- 29V40	APPS17- 29V60	APPS17- 29V96	APPS17- 29V120	APPS17- 47V40	APPS17- 47V60	APPS17- 47V120	APPS17- 47V240
Current Uni-Polar (A/Phase)	1.0	0.6	0.4	0.3	1.2	0.8	0.4	0.2
Voltage Uni-Polar (V/Phase)	4.0	6.0	9.6	12.0	4.0	6.0	12.0	24.0
Resistance Uni-Polar (R/Phase)	4.2	9.6	24.0	38.5	3.3	7.5	30.0	120.0
Inductance Uni-Polar (mH)	2.5	5.8	15.0	23.0	3.2	7.0	28.0	112.0
Current Bi-Polar (A/Phase)	0.7	0.4	0.3	0.2	0.9	0.6	0.3	0.1
Voltage Bi-Polar (V/Phase)	5.6	8.5	13.6	17.0	5.6	8.5	17.0	33.9
Resistance Bi-Polar (R/Phase)	8.4	19.2	48.0	77.0	6.6	15.0	60.0	240.0
Inductance Bi-Polar (mH)	10.0	23.2	60.0	92.0	12.8	28.0	112.0	448.0



Your Genius. Our Drive.

ElectroCraft, Inc.
250 McCormick Road,
Gallipolis, Ohio 45631

Tel: (844) 338-8114
Fax: (812) 385-3013

Email: sales@electrocraft.com
www.electrocraft.com